

PNEUMATIC ROTARY ACTUATOR OPERATED Aluminium Pressure Die Cast Butterfly Valve

Catalogue No.
APL / 1071

4Matic
Industrial Valves and Valve Automation

4Matic

Offers ISO 5211 Standard Pneumatic Rotary Actuator Operated "Aluminium Body & SS 316 Disc" KITZ Butterfly Valve with EPDM Rubber.

Size Range : 1.1/2" to 8"

Butterfly Valve Specification

Body	Aluminium Pressure Die Cast
Disc	CF8M (S. S. 316)
Stem	AISI 410 / AISI 304
Shaft	AISI 410 / AISI 304
Seat	EPDM
Valve Rating	PN 10
Body Pressure	225 PSIG
Seat Pressure	165 PSIG
Temperature	140 °C

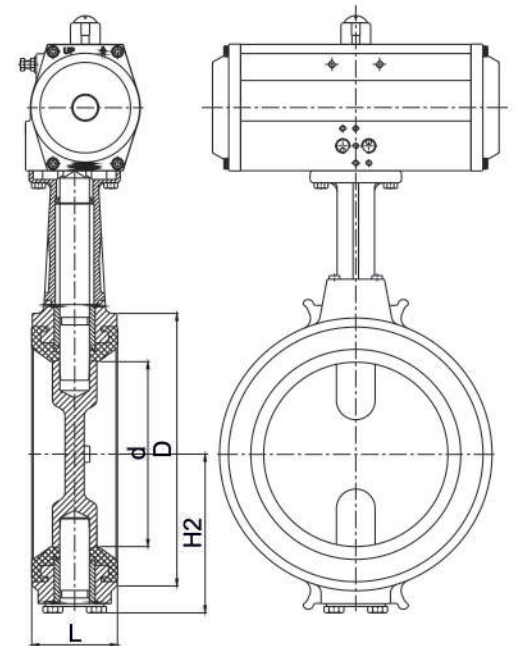
Accessories :

- On / OFF Indicator
- NAMUR Standard Solenoid Valve in
- all Standard Coil Voltage (Flame Proof Solenoid Coil - On Request)
- Pneumatic & Electro-Pneumatic valve positioner
- Declutchable Manual Over - Ride
- Limit Switches for On / Off Indication at Panel Board
- Filter + Regulator Combination with Pressure Gauge
- Air Lock Valve

Item	Type Of Test	Testing Pressure	Working Pressure	Operating Temperature (High)
Actuator	Pneumatic Bubble Test	180 PSIG	45 To 150 PSIG	-20 °C to 80 °C (High Temp. On Request)
Valve Body	Hydraulic	225 PSIG	150 PSIG	Max. 200 °C
Seat	Hydraulic	150 PSIG	150 PSIG	Max. 200 °C
Seat	Pneumatic	105 PSIG	150 PSIG	Max. 200 °C

Standard :-

Design and Manufacturer	: API 609 category A/BS 5155 / MSS SP - 67 / C - 504
Valve Face to Face Dimensions	: Short Wafer as per ISO 5752 Tab 5 API 609 Category A
Top Flanged Drilling	: ISO 5211 II
Inspection and Testing	: API 598 / BS 6755 / FCI 70 - 2
Flanged Standard Conformity	: ANSI 150, DIN PN 6 / 16



Dimensions :

(All Dimensions are in mm)

Valve Model	Valve Size		d	H2	L	D
	MM	Inch				
A4KITZ - 40	40	1.1/2"	40	60	33	78
A4KITZ - 50	50	2"	50	66	43	93
A4KITZ - 65	65	2.1/2"	65	74	46	118
A4KITZ - 80	80	3"	80	83	46	129
A4KITZ - 100	100	4"	100	94	52	149
A4KITZ - 125	125	5"	125	122	56	184
A4KITZ - 150	150	6"	150	135	56	214
A4KITZ - 200	200	8"	196	161	60	259

Note : Since, constant worldwide advancement in technology, We keep our rights reserved to make changes time to time in Technical specifications and Dimensions without prior notice.

Pub. on: January, 2015 (Rev.-01)