

4Matic Handle & Gear Operated SMT Model metal to metal replaceable seat design Spherical Disc Valve. Temperature upto 400°C flat metal seat leakage Class VI.



609 - 0055

Fire Safe  
Design

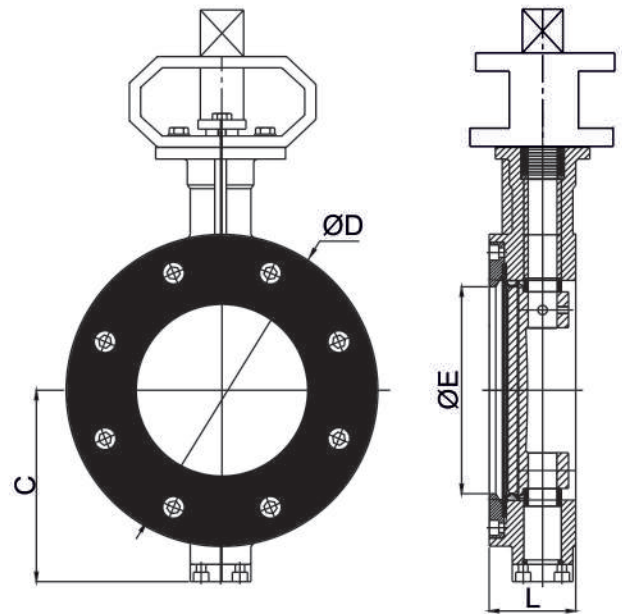
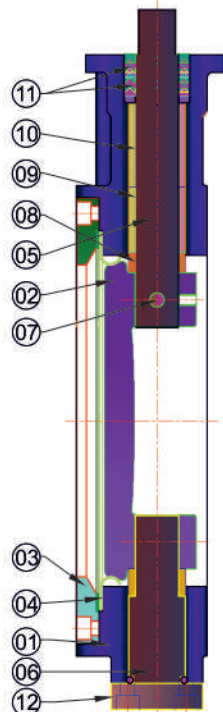
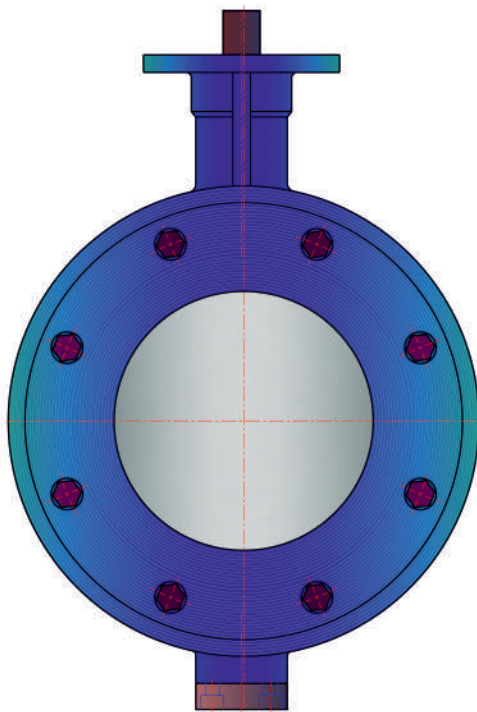
Size Range : 2" to 18"

Standard

Design And Manufacturing	API 609
Valve Face to Face Dimensions	API 609 Category "B"
Flange Standard Conformity	ASME B 16.5 Class 150
Inspection & Testing	API 598
Leakage Class	ASME B 16, 16.104 Leakage Class VI

PRESSURE / TEMPERATURE

PRESSURE RATING	PN 10
OPERATING TEMPERATURE	-50 °C TO 400 °C



Dimensions : 150#

(All Dimensions are in mm)

Valve Model	Valve Size		L	C	ØE	ØD
	MM	Inch				
4MSMT - 50	50	2"	47	65	50.8	95
4MSMT - 65	65	2.1/2"	52	66.5	60.6	108
4MSMT - 80	80	3"	52	77	72	127
4MSMT - 100	100	4"	57	93	100	159
4MSMT - 125	125	5"	60	117	123	186
4MSMT - 150	150	6"	60	131	143	217
4MSMT - 200	200	8"	67	167	192	270
4MSMT - 250	250	10"	72	196	239	322
4MSMT - 300	300	12"	85	218	290	382
4MSMT - 350	350	14"	92	242	335	436
4MSMT - 400	400	16"	102	270.5	387.5	495
4MSMT - 450	450	18"	114	362	425	540

No.	Description	Material	Qty.
1	Body	WCB / CF8 / CF8M	1
2	Disc	CF8 / CF8M	1
3	Retainer	M.S. / CF8 / CF8M	1
4	Seat Ring	CF8 / CF8M	1
5	Shaft	S.S. 304 / 316	1
6	Stem Shaft	S.S. 304 / 316 / 410	1
7	Disc Pin	S.S. 304 / 316 / 410	1
8	Shaft Collar	S.S. 304 / 316 / 410	4
9	Shaft Bush	S.S. 304 / 316	1
10	Shaft Bush	Graphite	1
11	Gland Seal Set	Graphite	5
12	Gland Plate	M.S. / CF8 / CF8M	1