

## 4Matic

offers rubber lined Butterfly Valve for HVAC & utilities. These Valves are truly 'Fit & Forget Valve', Which requires minimum maintenance. The body lines which also function as the soft seat, comes in integrally molded version & offers bi - directional sealing against vacuum upto the pressure of PN 10 / 16



Size Range : 1.1/2" to 48"

### Butterfly Valve Specification

Valve Type	Centric Disc Butterfly Valve with Single Piece Rubber Lined Body
Body Type	Short Wafer Type
Seat Type	Integrally Molded with The Body (Renewable Seat On Request)
End Connection	Wafer Type Suit 150#, Table 'D', Table 'E' & IS 6392 Table 11 (PN 10 / PN 16)
Pressure Rating	PN 10 / PN 16 (PN 20 On Request)
Oper. Temp. Range	-20 °C to 80 °C For Nitrile Seat (Depending On MOC)
Seat Leakage	Tight Shut Off

### Accessories :

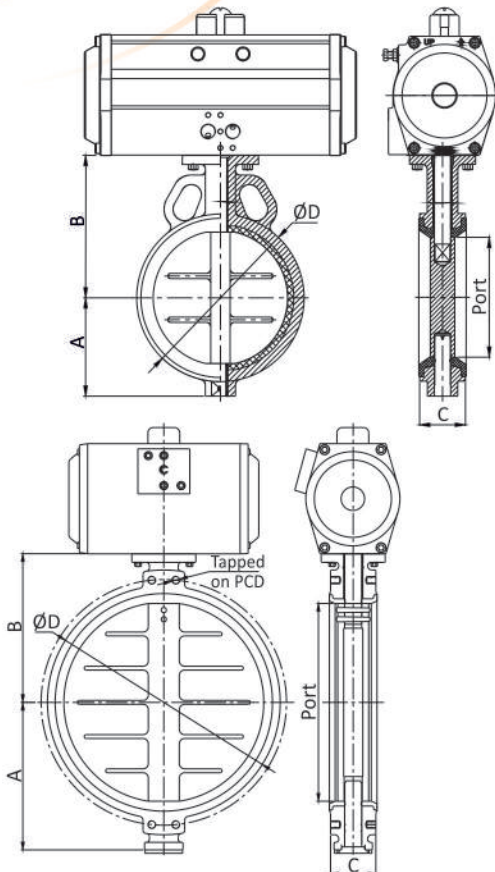
- On / OFF Indicator
- NAMUR Standard Solenoid Valve in all Standard Coil Voltage (Flame Proof Solenoid Coil - On Request)
- Pneumatic & Electro-Pneumatic valve positioner
- Declutchable Manual Over - Ride
- Limit Switches for On / Off Indication at Panel Board
- Filter + Regulator Combination with Pressure Gauge
- Air Lock Valve

Item	Type Of Test	Testing Pressure	Operating Temperature ( Normal )	Operating Temperature ( High )
Actuator	Pneumatic Bubble Test	180 To 150 PSIG	-20 °C to 80 °C	High Temp. On Request
Valve Body	Hydraulic	225 PSIG	Max. 80 °C	High Temp. On Request
Seat	Hydraulic	150 PSIG	Max. 80 °C	High Temp. On Request

### Dimensions :

(All Dimensions are in mm)

Valve Model	Valve Size		Port ±5MM	A ±5MM	B ±5MM	C ±2MM	ØD ±5MM	PCD ±0.5MM	Tapped	Weight (Approx.) Kgs.
	MM	Inch								
A4ECO - IC - 40	40	1.1/2"	40	61	106	34	80	----	----	3
A4ECO - IC - 50	50	2"	50	65	121	44	95	----	----	3.25
A4ECO - IC - 65	65	2.1/2"	65	71	124	46	108	----	----	5
A4ECO - IC - 80	80	3"	80	80	130	46	124	----	----	5.25
A4ECO - IC - 100	100	4"	100	98.5	146.5	52	150	----	----	6.5
A4ECO - IC - 125	125	5"	125	112.5	162	56	186	----	----	10.6
A4ECO - IC - 150	150	6"	150	125	177	56	205	----	----	11.5
A4ECO - IC - 200	200	8"	200	152.5	202	60	258.5	----	----	20
A4ECO - IC - 250	250	10"	241	193	262	68	316	----	----	24.900
A4ECO - IC - 300	300	12"	286	218	287	78	365	----	----	33.500
A4ECO - IC - 350	350	14"	333	255	332	78	435	----	----	43
A4ECO - IC - 400	400	16"	382	310	363	102	488	----	----	63
A4ECO - IC - 450	450	18"	433	340	388	114	540	577.9	1" UNC	94
A4ECO - IC - 500	500	20"	476	370	425	127	600	635	1" UNC	124.30
A4ECO - IC - 600	600	24"	590	449	495	154	695	749.3	1.1/4" UNC	241.5
A4ECO - IC - 650	650	26"	635	455	490	165	740	806.4	1.1/4" UNC	215
A4ECO - IC - 700	700	28"	680	488	553	165	799	863.6	1.1/4" UNC	278.150
A4ECO - IC - 750	750	30"	725	538	593	190	857	914.4	1.1/4" UNC	338.300
A4ECO - IC - 800	800	32"	785	570	630	190	912	977.9	1.1/2" UNC	387.100
A4ECO - IC - 850	850	34"	810	----	----	190	1000	1028.7	1.1/2" UNC	----
A4ECO - IC - 900	900	36"	885	685	705	203	1025	1085.8	1.1/2" UNC	484.8
A4ECO - IC - 950	950	38"	935	694	715	216	1090	1149.4	1.1/2" UNC	----
A4ECO - IC - 1000	1000	40"	965	718	738	216	1131	1200.2	1.1/2" UNC	----
A4ECO - IC - 1100	1100	44"	1085	----	----	254	1245	1314.45	1.1/2" UNC	----
A4ECO - IC - 1200	1200	48"	1170	855	870	254	1350	1422.4	1.1/2" UNC	----



Note : Since, constant worldwide advancement in technology, We keep our rights reserved to make changes time to time in Technical specifications and Dimensions without prior notice.

Pub. on: January, 2015 (Rev.-01)