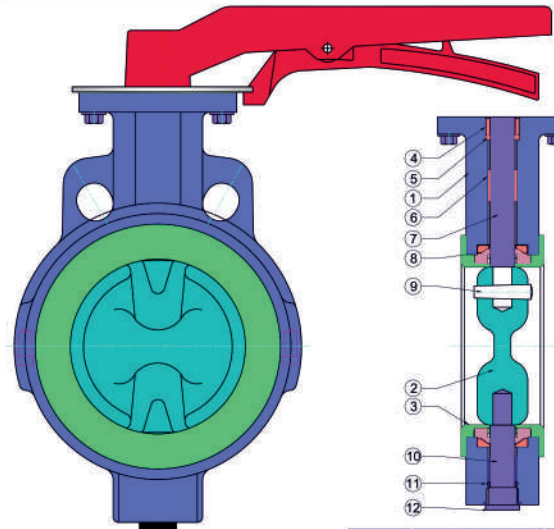
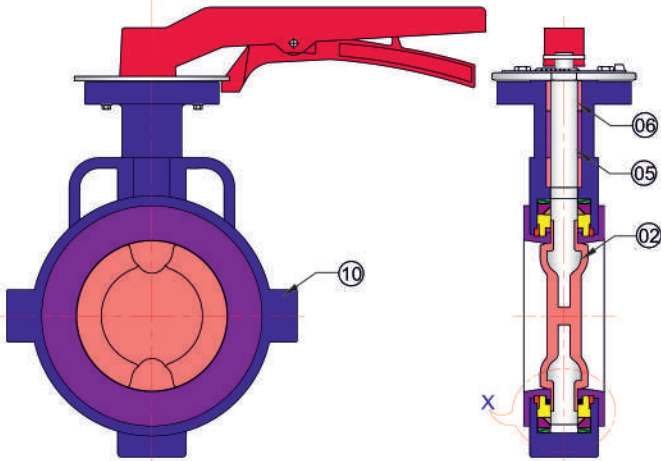


4Matic Offers FEP / PFA Lined Butterfly Valve for Corrosive Application. The FEP / PFA Seat Lined Covers the entire Wetted Surface of the body and Extends on to the Flanged Contact face - thus eliminating possibility of any media contact with the body.

**Size Range : 2" to 12"**

**Standard**

Design and manufacturing : API 609 category A/BS 5155 / MSS SP-67 / C-504  
 Valve face to face dimensions : Short wafer as per ISO 5752 Tab 5 / API 609 Category A  
 Top flanged drilling : ISO 5211 Part II  
 Inspection and testing : API 598 / BS 6755 / FCI-702  
 Flanged standard conformity : ANSI 150, DIN PN 10 / 16



No.	Description	Material
1	Body	C.I. / D.I. / CF8 / CF8M
2	Disc	C.I. / I.I. / CF8 / CF8M
3	Seat	PTFE
4	Collar	PTFE
5	"O" Ring	Viton
6	Metal Bush	PTFE Coated
7	Top Shaft	AISI 410
8	Pad	Silicon
9	Disc Pin	S. S. 304
10	Bottom Shaft	AISI 410
11	"O" Ring	Viton
12	Plug	M. S.

No.	Description	Material	Qty.
1	Body	C.I. / C.S. / CF8 / CF8M	01
2	Disc	C.I. / C.S. / CF8 / CF8M	01
3	Sleeve	FEP / PFA	01
4	'O' Ring	Viton	02
5	Bush	PTFE ( Teflon )	02
6	Bush	Metal Bush S.S. 304	02
7	Truth Bush	S.S. 304	02
8	Washer	Spring Steel	04
9	Gasket	Silicon Big	02
10	L. N. Bolt	S.S. 304	02

**Dimensions :** (All Dimensions are in mm)

Valve Model	Valve Size		Port	A	B	F to F	ØD
	MM	Inch					
4M-BF-LV-50	50	2"	48	107	65	44	101
4M-BF-LV-65	65	2.1/2"	62	118	65	46	112
4M-BF-LV-80	80	3"	78	122	83	46	130
4M-BF-LV-100	100	4"	98	153	98	52	163
4M-BF-LV-125	125	5"	---	---	---	---	---
4M-BF-LV-150	150	6"	148	193	122	57	218
4M-BF-LV-200	200	8"	196	223	167	63	273
4M-BF-LV-250	250	10"	---	---	---	---	---
4M-BF-LV-300	300	12"	291	271.5	244.5	78	380

