



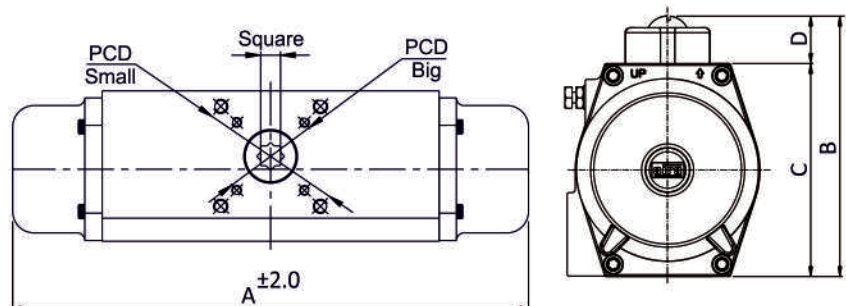
4Matic

offers ISO 5211 Standard Pneumatic Actuator for all your 90° / 180° Valves & Dampers Automation Requirements

- 1. Hard Anodized Barrel / Body** to Protect from Hazardous atmosphere & corrosion, which enhance life of actuator
- 2. Namur Standard Pinion Top** (An International Standard) The pinion (shaft) top drilled and slotted for easy assembling of switch, positioners and other accessories.
- 3. Namur pad for Solenoid Valve** (An International Standard) Air supply ports are Include On Body as per NAMUR standard to facilitate direct mounting of solenoid valve at actuator.
- 4. ISO - 5211 Standard Mounting for Valve** (An International Standard) Double bottom drilling for actuator to valve Assembling & centering. Designed for strength and easy mounting or interchangeability.
- 5. ISO - 5211 Standard Pinion Bottom** (An International Standard) Bottom of the pinion (Shaft) as female key, double square hole for assembling on valves with square key stem and in line or turned to 45°. Designed for strength and sure-fix with stem
- 6. Sliding Skates :** The innovation for replaceable sliding skates, between Pistons (Racks) and internal bore surface of the Actuator, just to avoid metal contact, which enhances the Actuator life
- 7. Compact Design :** "4Matic" Actuators are designed as compact and single acting (spring return) which offers high torque values. Internal sliding surface, lapped and anodized for minimum friction and long life of actuator. .

General Features :

- Opr. press : 60 to 115 psi
- Temperature range : -20 °C to 90 °C
- Air supply : Filtered, dry or lubricated
- Ext. protection : Corrosion strength to 500 hours in salted fog



Dimensions :

(All Dimensions are in mm)

Model	A	B	C	D	PCD SMALL	PCD BIG	SQUARE	WEIGHT (Approx) Kgs.	AIR CONSUMPTION In Liters
A4ARA-49-S	140.5	98	69.5	28.5	36	50	11X11	1.250	0.1
A4ARA-50-S	181.1	101.5	74	27.5	36	50	14X14	1.500	0.16
A4ARM-63-S	206.3	113.6	87.8	25.8	50	70	14X14	2.800	0.27
A4ARA-75-S	254.5	126.5	100	26.5	50	70	17X17	3.450	0.31
A4ARM-83-S	264	135.4	109.4	26	50	70	17X17	4	0.53
A4ARA-90-S	335.4	145.4	117	28.4	---	70	17X17	7	0.55
A4ARA-110-S	335.6	166	140	26	70	102	22X22	10.500	1.13
A4ARA-127-S	435.1	179	153	26	102	125	27X27	16.150	1.5
A4ARA-140-S	489.8	198	172	26	102	125	27X27	19.650	1.75
A4ARA-160-S	626.4	228	196	32	102	125	36X36	36.650	3.2
A4ARM-190-S	550.6	275.2	232.2	43	---	140	36X36	37.600	7.38
A4ARA-210-S	777.4	292.3	253.1	39.2	---	140	36X36	84.100	8.46
A4ARM-240-S	620	320.2	292.5	27.7	---	165	46X46	72.400	On Request.
A4ARM-270-S	733.4	364.3	328.4	35.9	---	165	46X46	104.600	On Request.
A4ARM-300-S	825	393.7	355.7	38	---	165	46X46	196.600	On Request.
A4ARM-350-S	842.2	445.6	410.6	35	---	165	46X46	250.500	On Request.
A4ARM-400-S	926.5	503.6	463.4	40.2	---	165	55X55	344.500	On Request.

Note : Since, constant worldwide advancement in technology, we keep our rights reserved to make changes time to time in Technical specifications and Dimensions without prior notice.

Pub. on: January, 2015 (Rev.-01)