

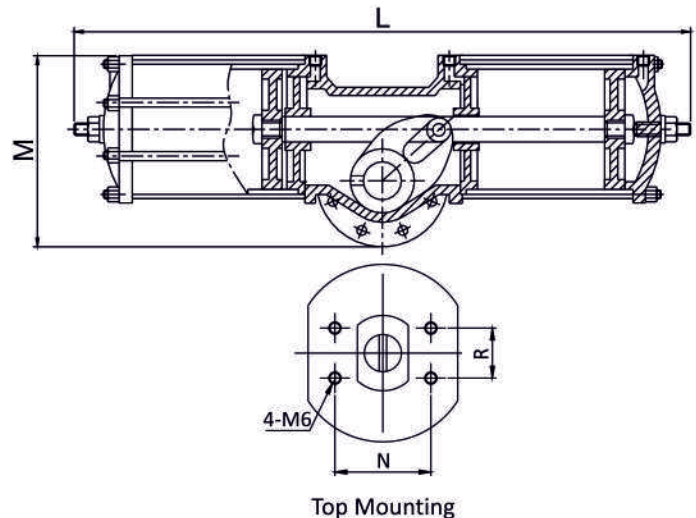
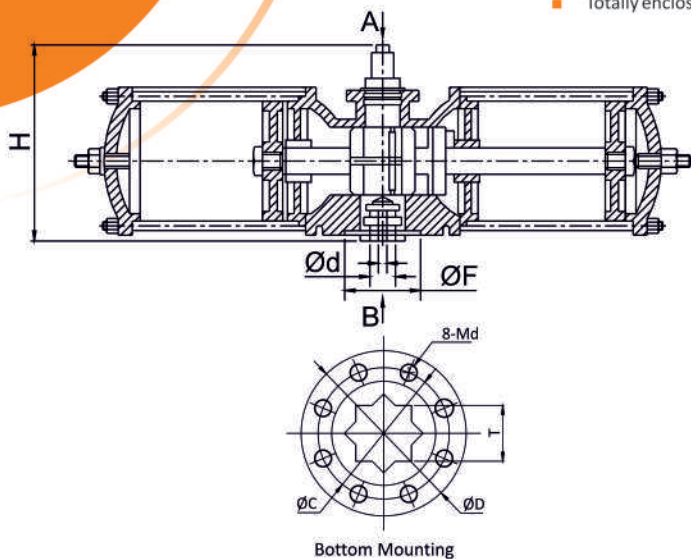


4Matic

Offers WAW / SAW Series heavy duty Scotch Yoke Actuators offer a broad range of torques to 116984 NM. The Scotch & Yoke is designed to operate Ball, Butterfly, Plug Valves, Dampers or any device that requires a quarter-turn movement for on-off or throttling services. Our standard offering is the symmetrical design yoke that delivers maximum torque at both ends of the 90° cycle. The square sliding bearing with guide bar gives high cycle life and smooth stroke while minimizing wear points. As with all "aira" actuators, our Scotch & Yoke comes with a complete line of accessories, including jackscrew, hydraulic overrides, limit switches, solenoids and positioners...

WAW Series Heavy Duty Scotch and Yoke Actuators features

- Travel adjustment $\pm 8^\circ$ for clock wise and counter-clock wise strokes
- Nitrile rubber piston O-rings offer excellent sealing and wear. Optional low and high temperature seals and lube are available
- RTFE Guide Band supports piston while providing smooth operation and extended life
- Extra large, strong piston rod for long life and torque transmission
- Namur accessory mounting pads permit mounting standardization of limit switches, positioners etc.
- Ductile iron center body
- Modular design allows for installing power groups and spring cartridges so that actuators may be set up for different air pressures and for Fail Clockwise and Fail Counter-clockwise
- Rugged heavy duty steel pressure cylinders chrome plated for long wear and corrosion resistance
- Safe, welded spring cartridges with numerous options for a broad range of air pressure conditions
- Alloy Steel, corrosion resistant and heat treated springs designed and manufactured for long high cycle life
- Steel slide block, bronze slide bearings to minimize friction and provide long cycle life
- Visual position indicator
- Carbon steel Scotch Yoke mechanism available in symmetric form
- Totally enclosed weatherproof central body



WAW 14 - WAW 35 Dimensions Table DOUBLE ACTING

Model	L	H	M	ØC:C	ØD:D	Z - M	Ød	ØF	SQUARE T	W	Y	N	R	X - M	AIR SUPPLY PORT
A4WAW - 14	658	228	200	102	130	4-M12	32	80	27 X 27	85	95	70	35	4-M6	G 1/4"
A4WAW - 18	810	293	280	140	170	4-M16	45	120	34 X 34	115	145	100	50	4-M6	G 3/8"
A4WAW - 20A	1040	330	320	180	218	4-M16	54	130	34 X 34	120	150	120	50	4-M6	G 1/2"
A4WAW - 20B	1040	330	320	180	218	4-M16	54	130	38 X 38	120	150	120	50	4-M6	
A4WAW - 25	1200	370	387	200	235	8-M18	64	166	45 X 45	137	157	120	50	4-M6	G 3/4"
A4WAW - 28	1430	444	480	272	330	8-M18	74	220	55 X 55	160	170	130	60	4-M6	
A4WAW - 35	1860	450	540	300	350	8-M24	100	220	28 X 2	204	----	180	60	4-M8	G 3/4"
A4WAW - 40	1860	500	580	300	350	8-M24	100	220	28 X 2	230	----	180	60	4-M6	
A4WAW - 50	2340	615	695	356	415	8-M30	120	260	32 X 2	230	----	180	60	4-M8	
A4WAW - 60	2430	720	720	356	415	8-M30	120	260	32 X 2	256	----	220	60	4-M8	
A4WAW - 70	3160	850	920	483	550	12-M36	180	370	45 X 2	256	----	250	60	4-M8	

Note : Since, constant worldwide advancement in technology, we keep our rights reserved to make changes time to time in Technical specifications and Dimensions without prior notice.

Pub. on: January, 2015 (Rev.-01)